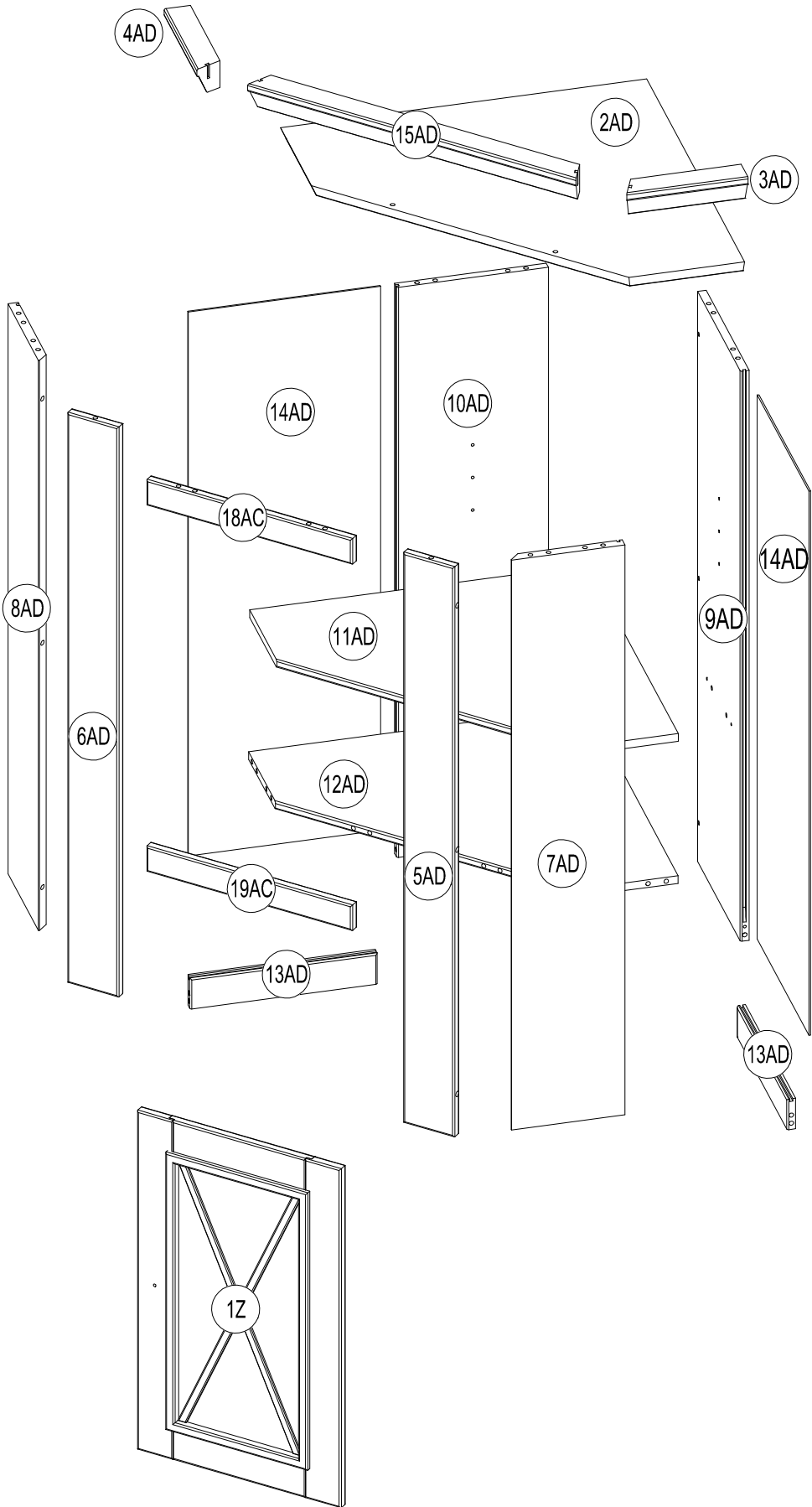
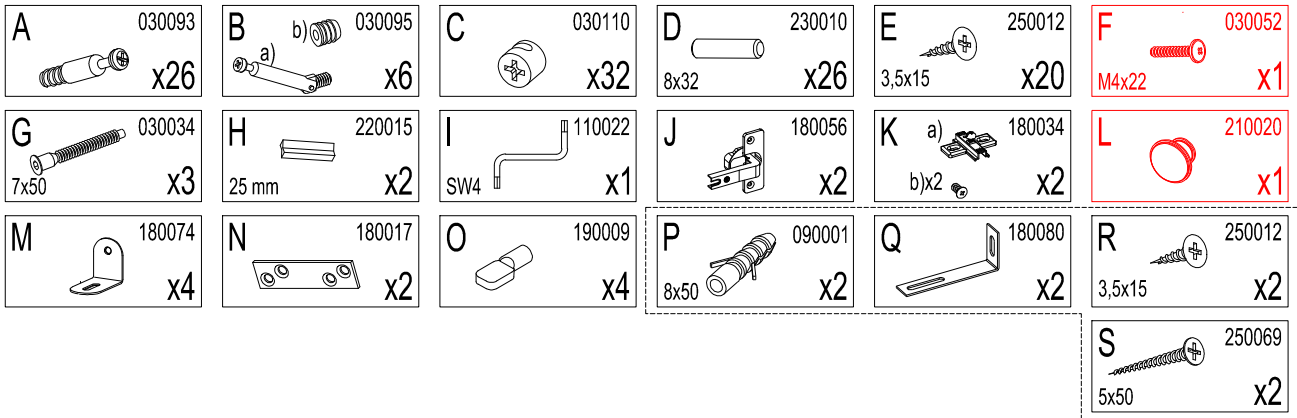


120 min

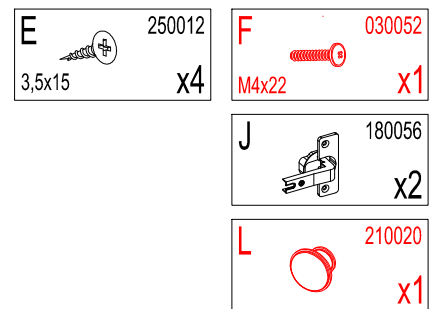
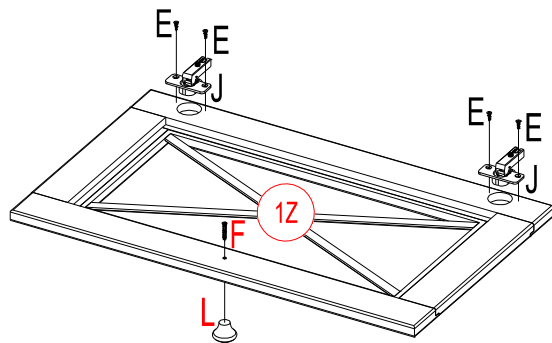
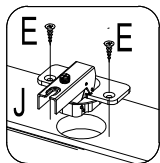
EAC



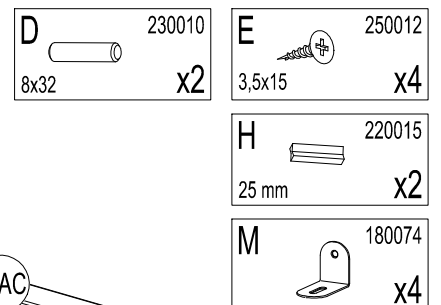
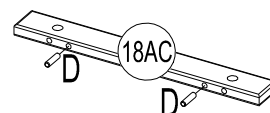
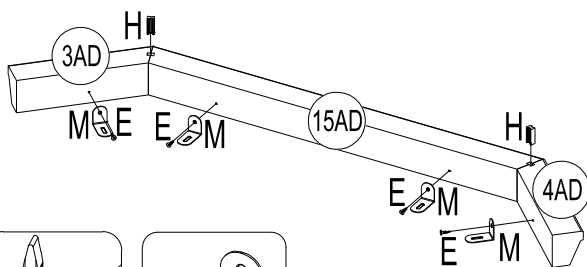
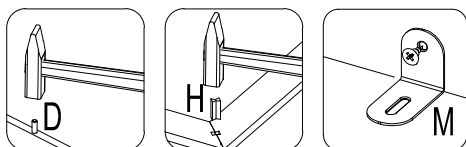


Nº	Size/MaB (mm)	Qty	✓	Nº	Size/MaB (mm)	Qty	✓
1Z	666x400x27	1		10AD	1120x267x15	1	
2AD	912x600x24	1		11AD	843x546x15	1	
3AD	214x43x56	1		12AD	844x547x15	1	
4AD	214x43x56	1		13AD	330x60x15	2	
5AD	1120x100x18	1		14AD	1069x339x3	2	
6AD	1120x100x18	1		15AD	645x53x46	1	
7AD	1120x200x18	1		18AC	404x50x18	1	
8AD	1120x200x18	1		19AC	404x50x18	1	
9AD	1120x282x15	1					

1



2



3

A	030093 x12	C	030110 x2	D	230010 8x32 x2
				E	250012 3,5x15 x4

4

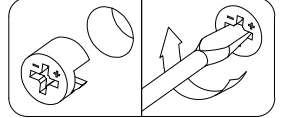
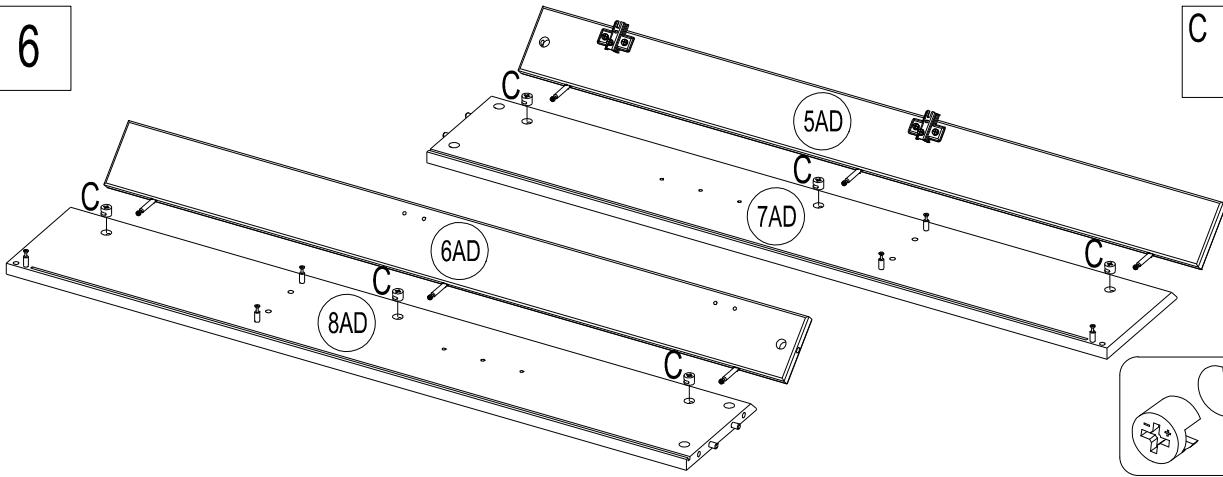
A	030093 x2	D	230010 8x32 x10
		C	030110 x2

5

A	030093 x6	B	b) 030095 a) x6	D	230010 8x32 x4
				K	a) 180034 b) x2 x2

6

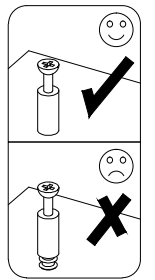
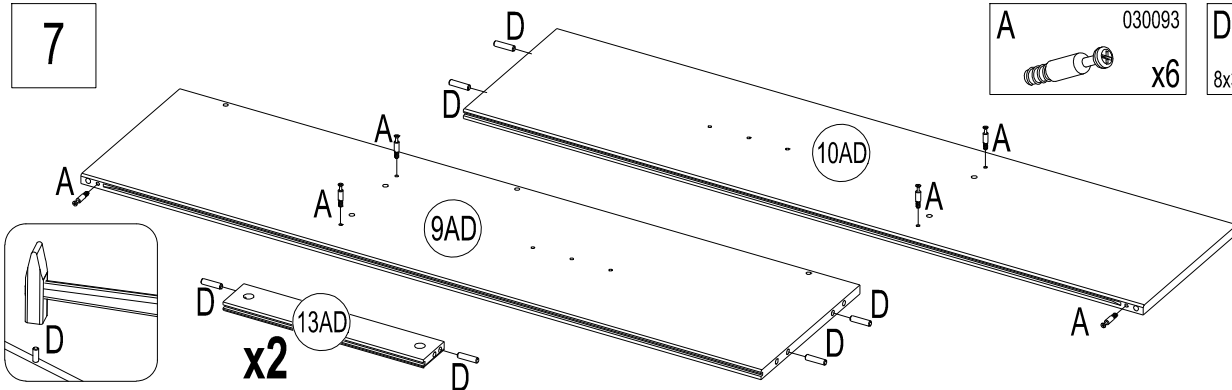
C 030110
x6



7

A 030093
x6

D 230010
8x32
x8



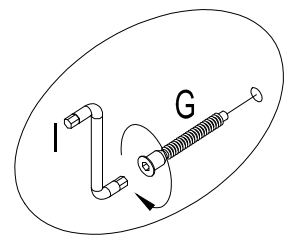
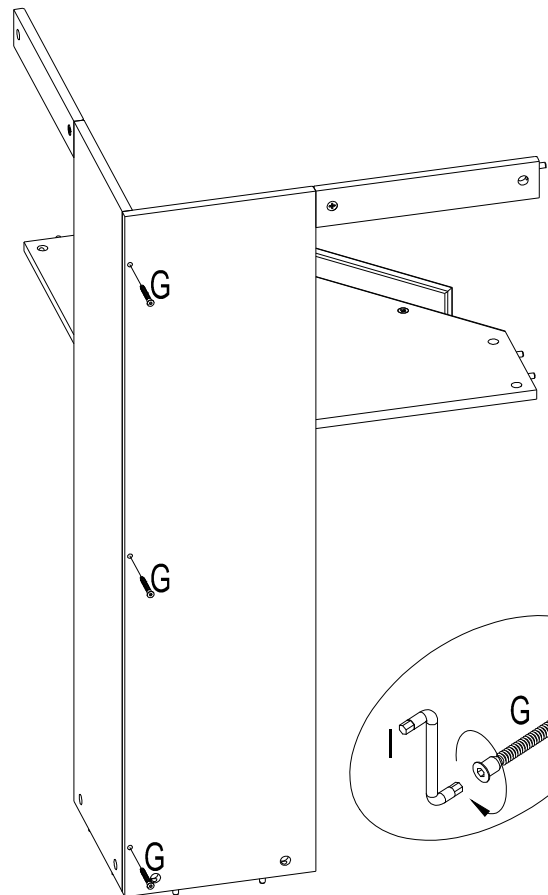
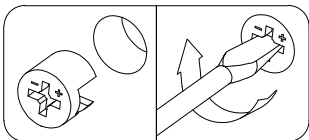
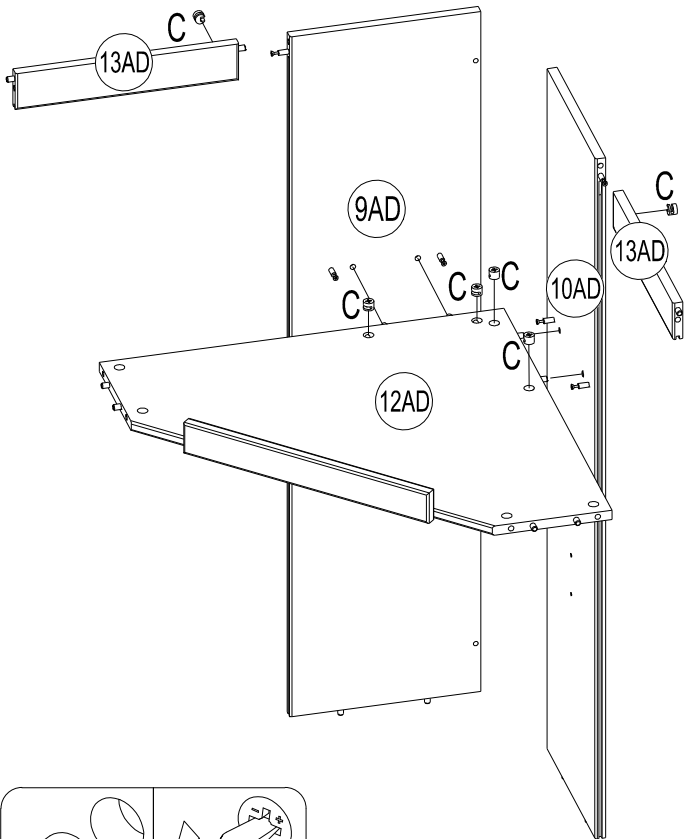
8

C 030110
x6

9

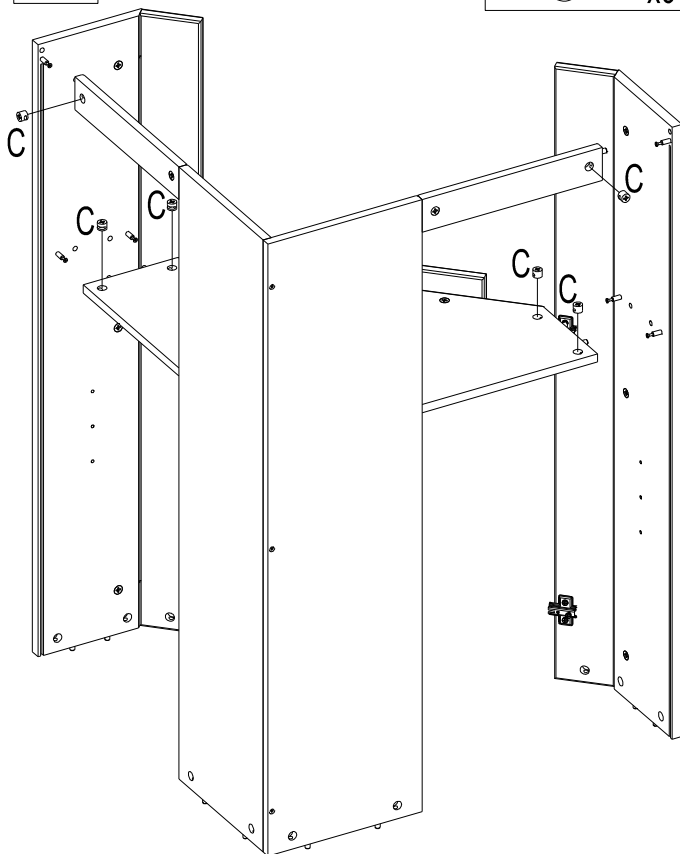
G 030034
7x50
x3

I 110022
SW4
x1



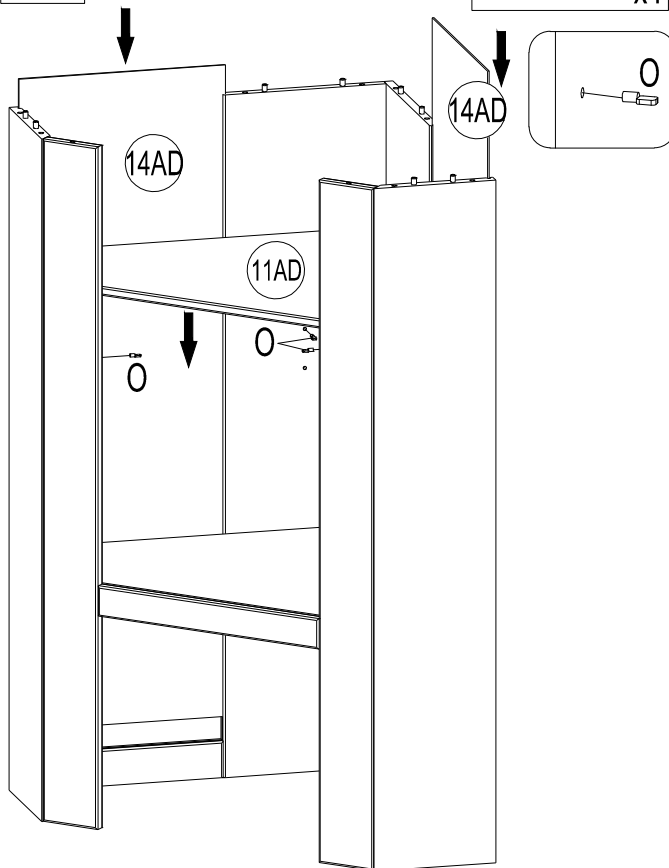
10

C 030110
x6

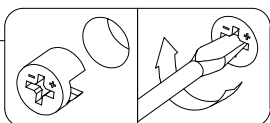


11

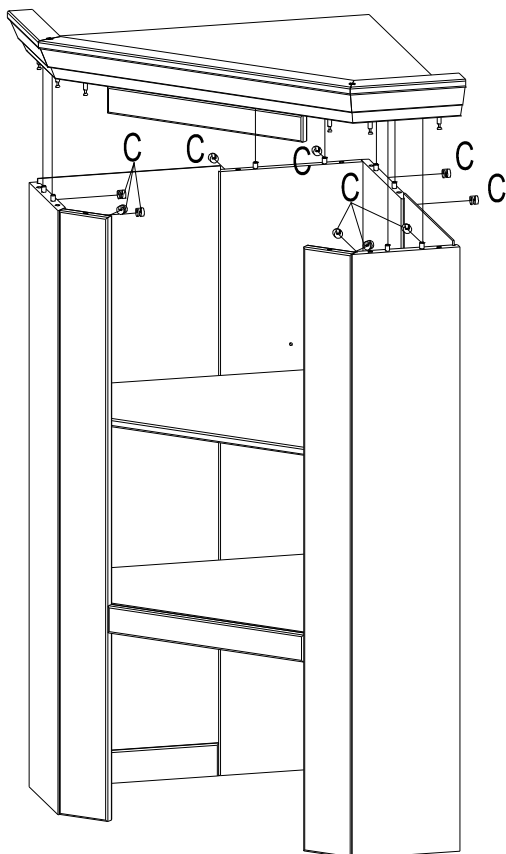
O 190009
x4



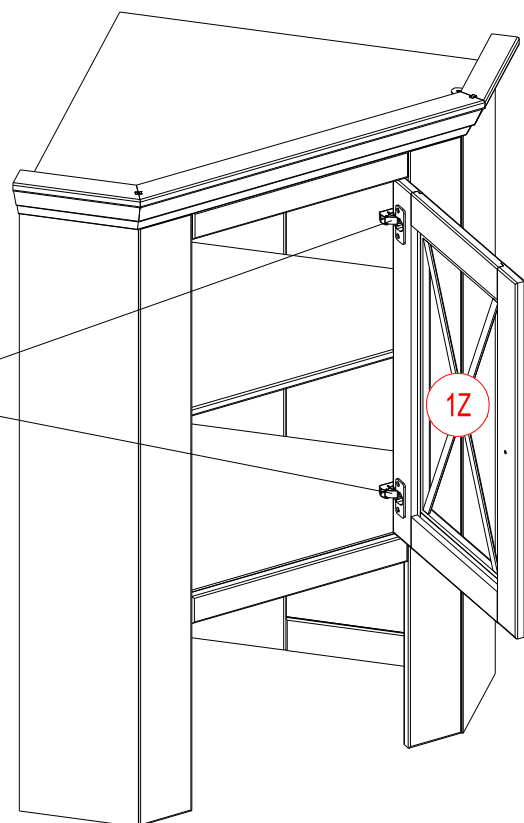
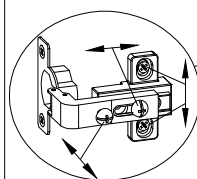
12



C 030110
x10



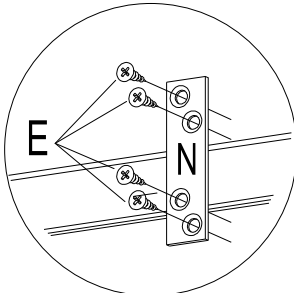
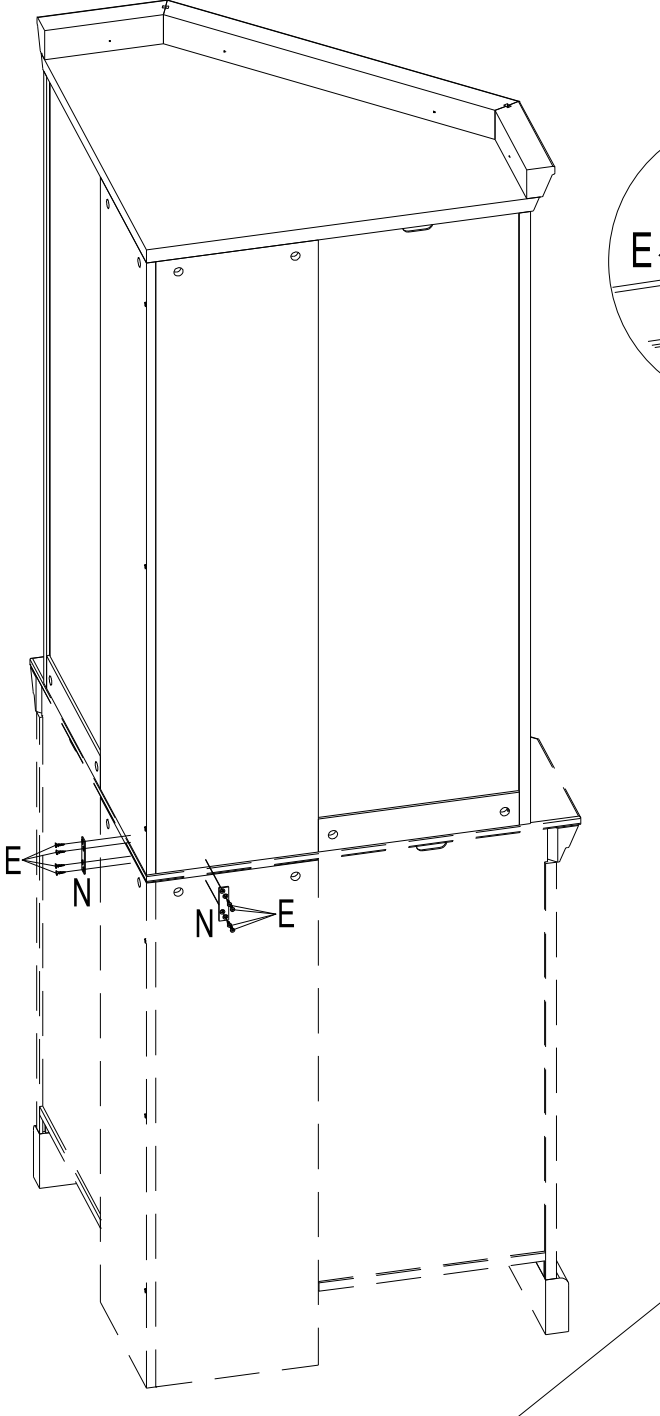
13



14

E 250012
3,5x15 x8

N 180017
x2



15

P 090001
8x50 x2

Q 180080
x2

R 250012
3,5x15 x2

S 250069
5x50 x2

